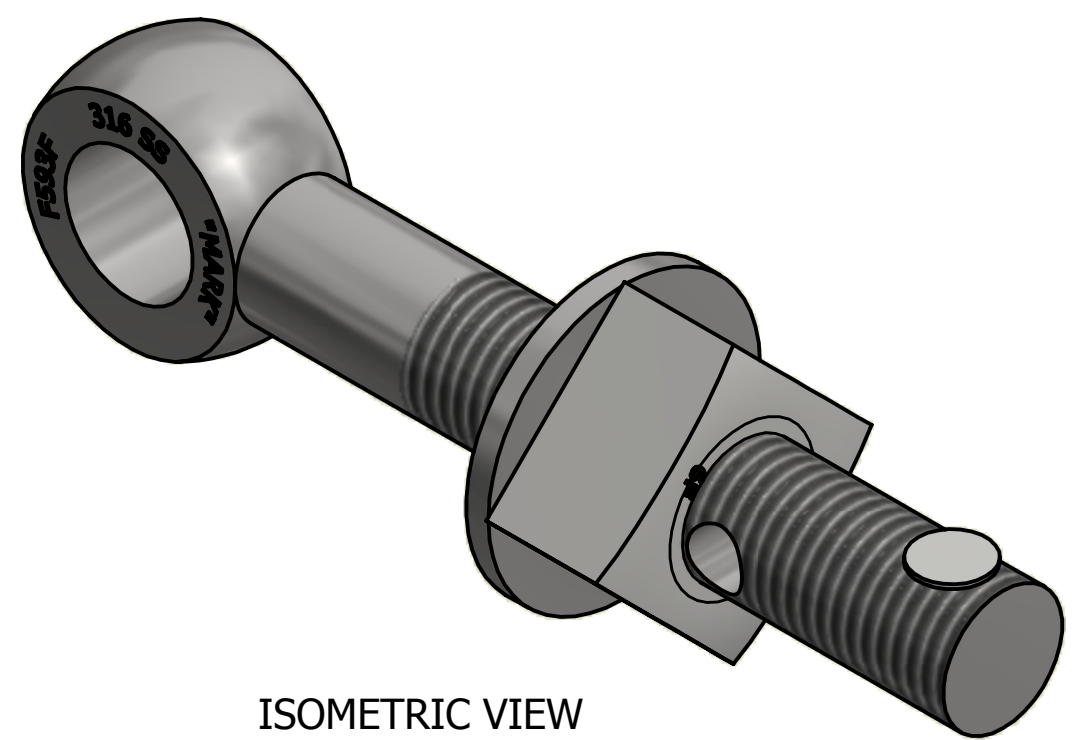
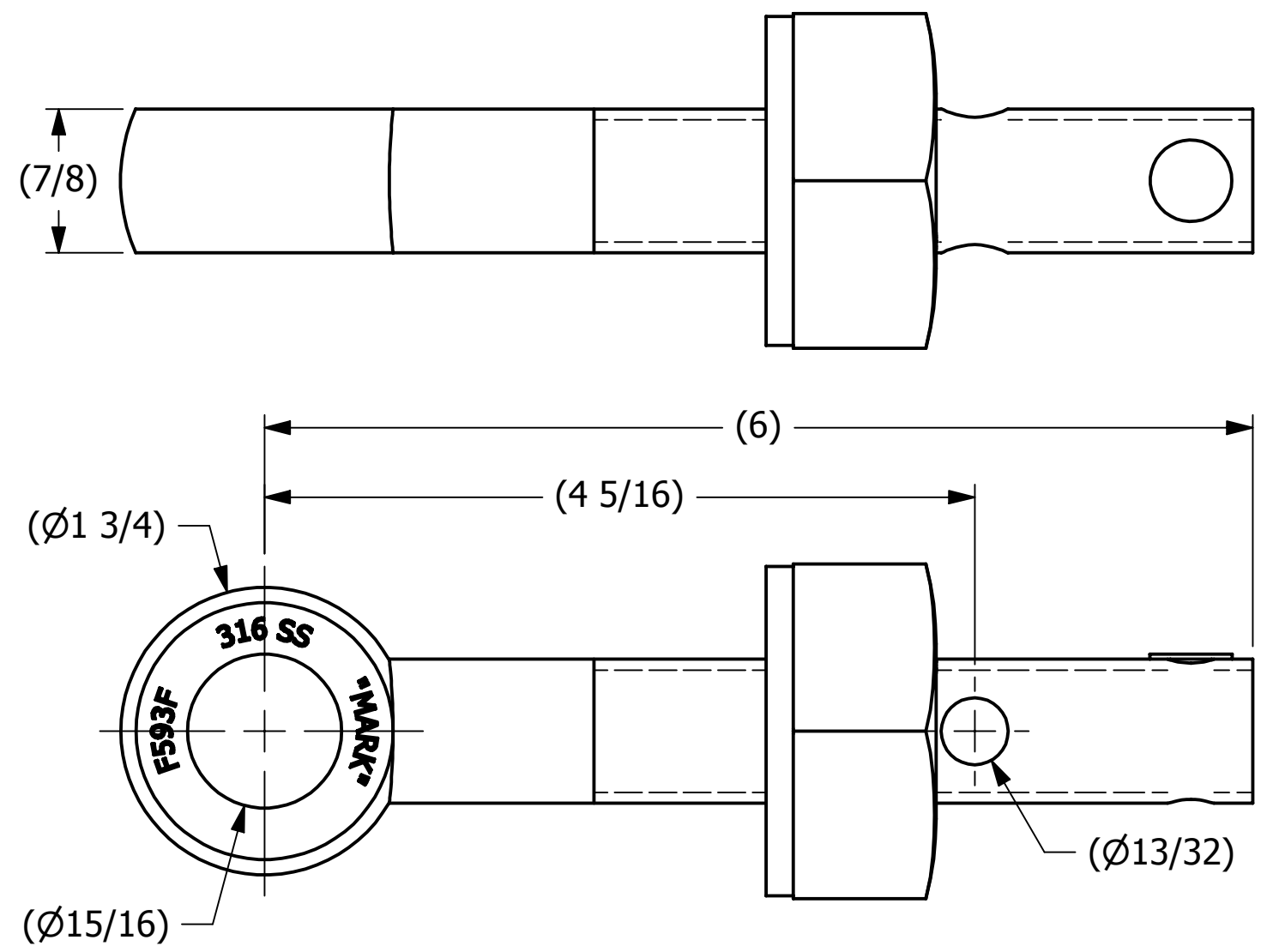


SALES DRAWING

SALES DRAWING



ISOMETRIC VIEW

REV	BY	DATE	DESCRIPTION
B	CHL	11-26-01	REPLACED SN14S W/ A16204
A	FOD	6-3-99	CHANGED PART # ITEM #1 WAS EBR786HS6, UPDATED DRAWING WITH NEW STANDARDS

<small>UNLESS OTHERWISE SPECIFIED DIMENSIONAL TOLERANCES</small> FRACTIONAL: $\pm 1/16$ X.XX: $\pm .03$ X.XXX: $\pm .015$ ANGULAR: $\pm 1^\circ$ <small>DEBURR ALL SHARP EDGES. ALL MACHINED SURFACES TO HAVE A 125 RMS FINISH UNLESS NOTED OTHERWISE.</small>	DRAWN BY:	TJN
	CHECKED BY:	FOD
	PROTOTYPE BY:	TJN
	PROTOTYPE DATE:	3/2/1993
	APPROVED FOR PRODUCTION BY:	FOD
	PRODUCTION DATE:	3/2/1999

SALCO PRODUCTS, INC.		
PART NAME: EYEBOLT ASSEMBLY 7/8"X6"		
MATERIAL: STAINLESS STEEL		
PROJECT #:	SHEET #: 1 OF 1	SCALE: 1:1
DRAWING #: B5397	PART #: EB786HAS6	

THIS PRINT, PROPERTY OF SALCO PRODUCTS INC., CONTAINS PROPRIETARY INFORMATION AND MUST NOT BE COPIED, REPRODUCED, OR USED DETRIMENTALLY TO OUR INTEREST.

